

Quicke

IMPLEMENTS

FOR FRONT LOADERS,
TELEHANDLERS AND WHEEL LOADERS



QUICKE TINES

We use our own tines.

Forged tines feature high quality, replaceable 500 HB bolt on forged tines. Our own forged tines are called Q-tines and are available in straight or curved versions.



1. Sleeve chamfer and nut in complete match for perfect fit
2. Perfect ramp between thread and cone for longer lifetime
3. Perfect match between sleeve and tine for longer lifetime
4. Semi-rounded shape for optimal performance
5. Shorter tip for increased wear resistance
6. Thoroughly tested in lab and field to achieve the superiority of the Q-tine

We also offer hardened welded profile cut tine in straight or curved.

Profiled tines are 400 HB cut tines welded in tine carriage providing excellent wear capabilities.



FRONT LOADERS



WHEEL LOADERS



TELEHANDLERS



YARD LOADERS



SKIDSTEERS



COMPACT TRACTOR LOADERS

GET MORE WORK DONE IN LESS TIME WITH Q-COMPANION®



SAVE TIME

SelectoFix is a great time saving option if the front loader has a third or a fourth service. With a simple movement, the implement hoses are coupled, easily and without any problems, even when the system is pressurised. Your work continues within seconds. The connections are easy to clean, reducing the risk of dirt finding its way into the tractor's hydraulic system.



CONTENTS

BUCKETS	4-27	Grading Bucket	26	BALE FORKS	39-44
Buckets Overview	4-5	Grading Bucket S	26	Bale Fork XL+ 200	40
Hook Systems & accessories	6-9	Precision Bucket	26	Bale Fork L 200	42
Bucket Type S	10-13	Stone Fork XL+	27	Bale Fork L+ 150 (fixed tines)	42
SXL+	12	Stone Fork M+	27	Bale Fork L+ 150 (folded tines)	42
SL+	12			Bale Fork M 180	43
SM+	12	MANURE AND SILAGE	28-35	Bale Fork M 140	43
SM	12	Powergrab XL+	29	Bale Fork S+ 115	43
Bucket Type G	14-17	Powergrab L+	29	Bale Spike	44
GXL+	16	Powergrab M+	29	Silosplit	44
GL+	16	Silocut XL+	30		
GM+	16	Silocut L+	30	LIFTING IMPLEMENTS	45-49
GM	16	Silocut M+	30	Pallet Fork XL	46
GS+	17	Multigrab M+	31	Pallet Fork L	46
GS	17	Multigrab C for Compact Tractors	32	Pallet Fork M	46
Bucket Type V	18-21	Multibenne XL	33	Pallet Fork S	47
VXL+	20	Multibenne M+	33	Pallet Fork C	47
VL+	20	Multibenne S+	32	Big Bag Lifter	48
VL	20	Silograb XL	34	Tool Carrier Adaptor with Bolt on Hooks	48
VM	20	Silograb M+	34	Fixed Tool Carrier Adaptors	48
VS	21	Silograb S+	34		
VS+	21	Manure Fork XL	35	COUNTERWEIGHT	49
Compact & Utility Buckets	22-23	Manure Fork M+	35	Q-Bloq Counterweight	49
U Bucket	22			Counterweight	49
Compact Bucket C with Euro	22	BALE HANDLING	36-38		
Compact Bucket C with Skid Steer	22	Unigrip	37	THE SUPPORT	51
Special Buckets	24-27	Flexigrip	37		
Multi Purpose Bucket	24	Flexibal	37	HOOCS SYSTEMS	52
High Tip Bucket XH M+	24	Quadrogrip TS	38		
Special Clearing Bucket SC M+	24	Topgrip	38		
Grading Bucket XL	26				



BUCKETS

EXACTLY THE RIGHT BUCKET

Quality and stability, productivity and safety: For Quicke, there are many good reasons – and now even more. We have improved our bucket range and are very proud to introduce the next generation! The adjacent matrix is a quick reference to the three basic types of bucket that are available and depending upon your needs, you will find the optimal solution: for all your individual loader requirements. Whether it's operating conditions, size, material type or a specialist bucket for all applications.

Simply choose Quicke – always the right choice.

OUR RANGE OF BUCKETS:



	S	G	V
Size & performance ↑			
	SXL +	GXL +	VXL +
	SL +	GL +	VL +
	SM +	GM +	VL
	SM	GM	VM
	-	GS +	VS +
	-	GS	VS
	Type of bucket →		

Model with a + are available with Bolt on Hooks and accessories.

BUCKET SIZES AND EXPLANATION	
XL Bucket	Wheel loaders and large telehandlers
L Bucket	Wheel loaders, telehandlers and big front end loaders
M Bucket	Front end loaders, compact wheel loaders and small telehandlers
S Bucket (small)	Yard loaders and small front end loaders



ALWAYS THE BEST FIT

Whether it's a small yard loader or an agricultural wheel loader, you can be sure with our modular bucket range that you will always get the perfect fit and function for machine. With more than 60 bolt on hooks (BoH) available, Quicke offers a wide range of options for your loader. Our promise: Quicke always fits!

Quicke offers both welded and bolt on types of hooks (BoH).

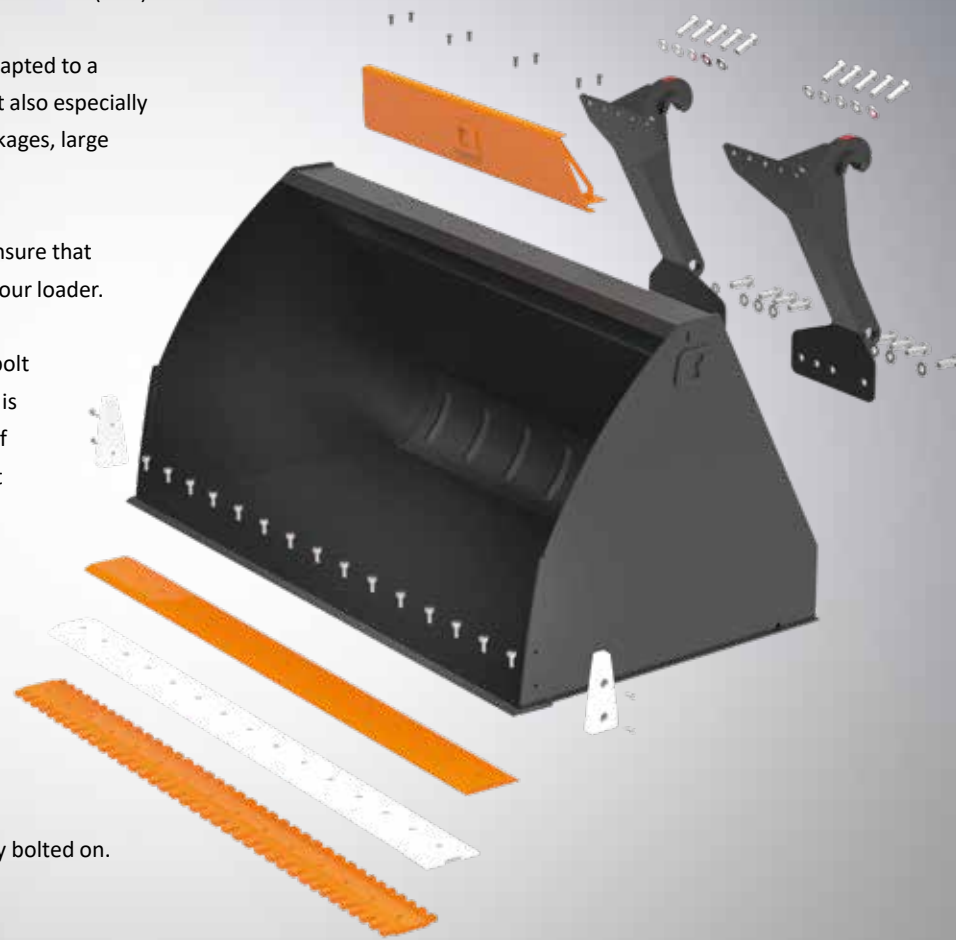
Quicke offers a wide range of hook types, adapted to a wide range of loader brands and models, but also especially adjusted hooks to suit loaders with e.g. Z-linkages, large tyres and limited roll back angles.

Quicke uses "Cutting edge-technology" to ensure that your bucket get perfect fit and function on your loader.

Quicke offers easy assembly of all available bolt on cutting edges. The tightening of the bolts is done completely from the top without use of nuts as the threads are integrated in the bolt on cutting edge.

Quicke offers bolt on spill guard that is easy to install pre-drilled holes. The loaders tool carrier is thereby protected from overflowing material.

Quicke offers plastic side "wall savers" to prevent damage to walls. Bucket side sheets come prepared for wall-savers that are easily bolted on.



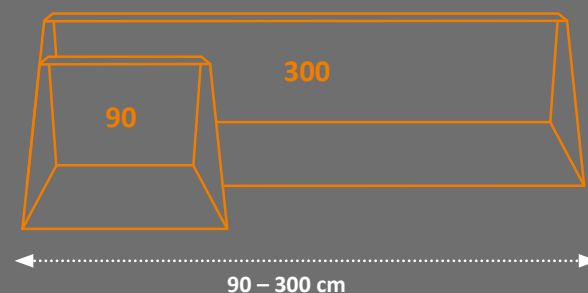
BoH M16 for M and S type bucket based implements



BoH M24 for all XL and L type bucket based implements



Widths made for your requirements



A SAFE CHOICE

Quality: From computer simulation to field testing with the heaviest loads to the hard endurance test on the fatigue test rig – Quicke's robust development programme tests the bucket design and material combinations in theory and practice. We leave nothing to chance.

Accessories: Choose your bucket with the right accessories: customer-specific solutions are our strength. Best of all, Quicke buckets are designed to be particularly easy to maintain, and when it comes down to it, Quicke Parts are quickly delivered wherever you are.



Conical bucket design for rapid & complete emptying of the bucket.

Heavy box-section design provides torsional strength for the bucket, at the same time covering the rigid BoH system leaving bucket interior clean for easy filling.

500 Brinell hard cutting edges and thick well-placed wear plates under the bucket increase bucket life allowing for greater productivity.

Large saddle plates on the bucket back that smoothly transfers the force of the loader to the bucket bottom and cutting edge.

All Quicke implements are painted and protected using the very latest powder coating technology.

"We have restructured our bucket programme to further improve the bucket design and increase the flexibility by offering additional BoHs. Furthermore, our selection of accessories allows you to 'Build your Bucket' by optimizing it for your particular needs. The result: The next generation buckets. Tailor-made for maximum productivity in agriculture."



Henrik Jönsson, Product Manager Implements

HOOK SYSTEMS & ACCESSORIES





A VARIETY OF HOOK SYSTEMS FOR A VARIETY OF LOADERS

Quicke Implements are possible to attach to most types of AG material handlers on the market thanks to the flexibility of our Bolt on Hooks systems.

Implements designed primarily for front loader use come as standard with welded Euro hooks to make configuration easier.

Many implements are available with accessories to further increase productivity and service life of your implement. All Quicke bolt on cutting edges are reversible and hardened to 500 HB. Bolt on bucket teeth comes in 400 HB.

When viewing this brochure check out the symbols below to find out how the implement can be configured.

EXPLANATION OF THE SYMBOLS			
	Bolt on Hook, available BoH kits		Available with accessories
	Available welded Hooks		Pressure relief valve needed if the working pressure of the loader is higher

HOOK SYSTEMS	
CATEGORY	
	M24
	M16 S/L
	80x80 XL
	80x80
	60x80
	40x80



If you are a registered dealer please log into dealer.quicke.nu

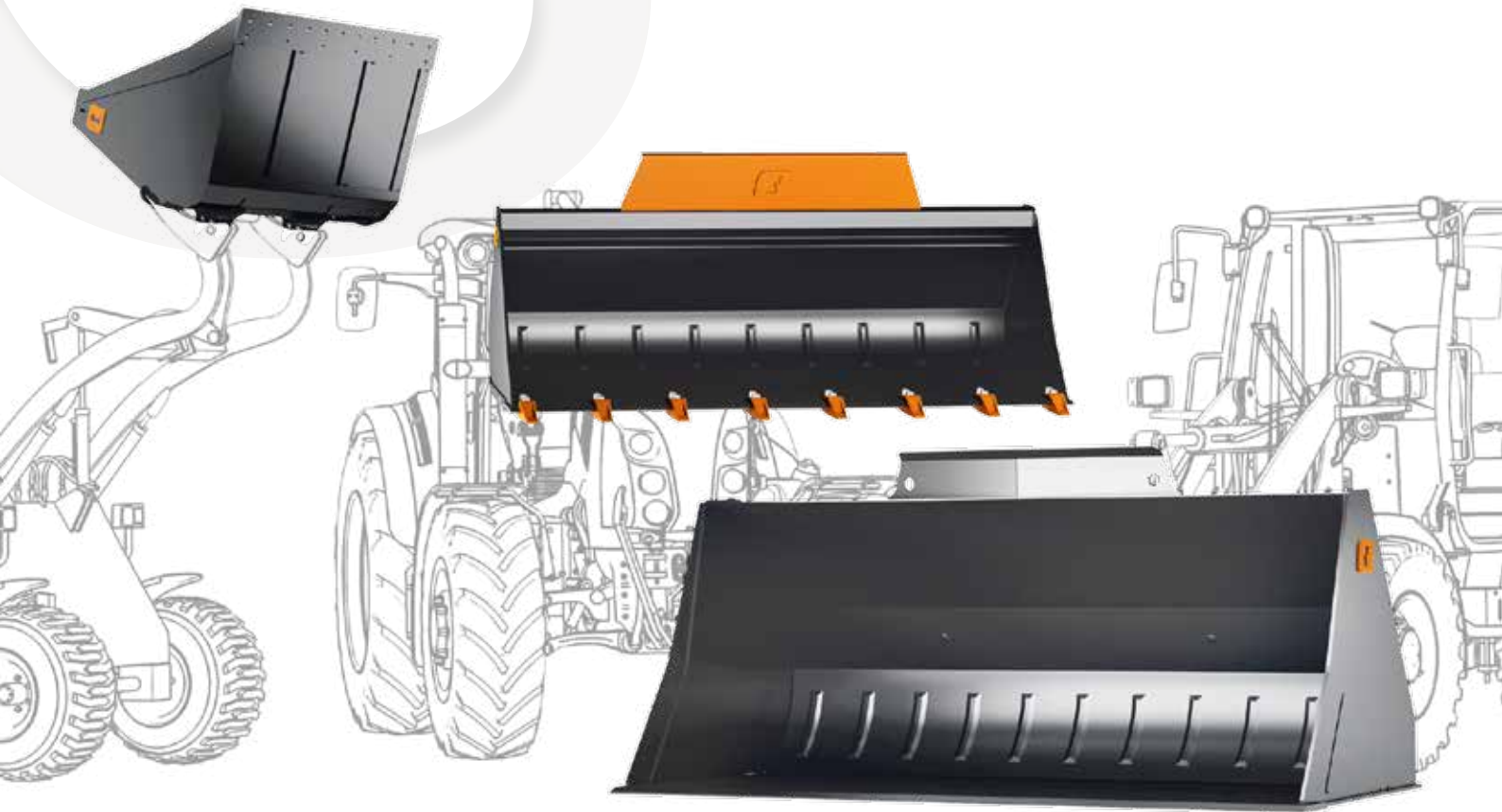
Please find the available hook systems for vehicles with the help of our configurator dealer.quicke.nu

AVAILABLE ACCESSORIES FOR IMPLEMENTS WITH +

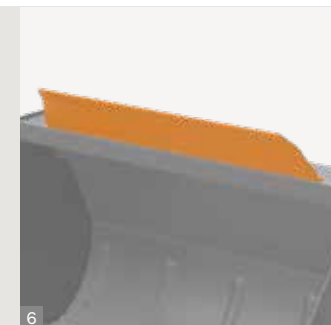
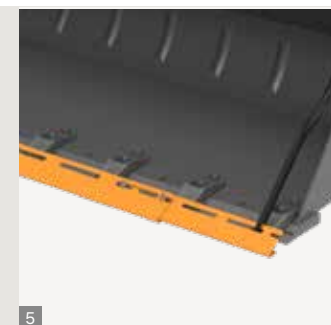
Bucket Type	Cutting edge standard	Cutting edge plastic	Cutting edge serrated	Bolt on bucket teeth's	Teeth protection	Wall saver plastic	Spill guard
SXL + / SL +	X			X			X
SM +	X	X	X	X	X		X
VXL + / VL + / VS +	X	X	X			X	X
GXL + / GL + / GM + / GS +	X	X	X			X	X

BUCKET TYPE S

The concave gable design of the soil bucket allows excellent penetration into hard materials such as rocks, gravel, soil and sand. The bucket bottom is shorter than of other buckets but still long enough for full utilisation of the bucket capacity.



SXL+		140	160	180	200	220	240	260	265	275	295
Width	cm									274	294
Depth	cm									129	129
Height	cm									133	133
Volume heaped	m ³									2,50	2,70
Volume struck	m ³									2,00	2,10
Weight (without BoH)	kg									1158	1216
SL+		140	160	180	200	220	240	260	265	275	295
Width	cm					219	239		264		
Depth	cm					105	105		120		
Height	cm					112	112		123		
Volume heaped	m ³					1,30	1,40		2,00		
Volume struck	m ³					1,00	1,10		1,60		
Weight (without BoH)	kg					634	669		789		
SM+		140	160	180	200	220	240	260	265	275	295
Width	cm		158	178	198	218	238	258			
Depth	cm		89	89	89	89	89	89			
Height	cm		75,5	75,5	75,5	75,5	75,5	75,5			
Volume heaped	m ³		0,76	0,86	0,96	1,06	1,16	1,26			
Volume struck	m ³		0,60	0,68	0,76	0,84	0,92	1,00			
Weight (without BoH)	kg		231	251	269	296	367	390			
SM		140	160	185	210	220	240	260	265	275	295
Width	cm			186	211						
Depth	cm			70,5	70,5						
Height	cm			67,5	67,5						
Volume heaped	m ³			0,60	0,68						
Volume struck	m ³			0,48	0,55						
Weight (without BoH)	kg			179	222						



Prepared for:

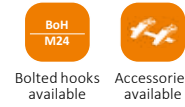
- 1 Bolt on reversible cutting edge
- 2 Bolt on plastic cutting edge
- 3 Bolt on serrated cutting edge
- 4 Bolt on teeth
- 5 Teeth protection
- 6 Bolt on spill guard

SXL+

POWERFUL PREMIUM SOIL BUCKET PERFECT FOR WHEEL LOADERS

- Extremely strong and robust.
- Designed for heavy materials as gravel and soil.
- Available with various accessories and BoHs.

SXL+	275	295
Width (outside gables), cm	271	291
Depth (max. inside), cm	129	129
Height (max. inside), cm	133	133
Volume heaped, m ³	2,50	2,70
Volume struck, m ³	2,00	2,10
Weight, kg	1158*	1216*
Cutting edge WxD, mm	200x25	200x25



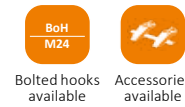
Available accessories:
Cutting edge HB500
Bucket teeth
Spill guard

SL+

POWERFUL PREMIUM SOIL BUCKET FOR WHEEL LOADERS AND LARGE FRONT END LOADERS

- Robust design that guarantees long service life.
- Designed for heavy materials as gravel and soils.
- Available with various accessories and BoHs.

SL+	220	240	265
Width (outside gables), cm	217	237	262
Depth (max. inside), cm	105	105	120
Height (max. inside), cm	112	112	123
Volume heaped, m ³	1,30	1,40	2,00
Volume struck, m ³	1,00	1,10	1,60
Weight, kg	634*	669*	789*
Cutting edge WxD, mm	200x20	200x20	200x20



Available accessories:
Cutting edge HB500
Bucket teeth
Spill guard

SM+

POWERFUL PREMIUM SOIL BUCKET FOR COMPACT WHEEL LOADERS AND FRONT END LOADERS

- Strong and versatile heavy material bucket.
- Ideal for Front loaders and compact wheel loaders.
- Available with various accessories and BoHs.

SM+	160	180	200	220	240	260
Width (outside gables), cm	158	178	198	218	238	258
Depth (max. inside), cm	89	89	89	89	89	89
Height (max. inside), cm	75,5	75,5	75,5	75,5	75,5	75,5
Volume heaped, m ³	0,76	0,86	0,96	1,06	1,16	1,26
Volume struck, m ³	0,60	0,68	0,76	0,84	0,90	1,00
Weight, kg	231*	251*	269*	296*	367*	390*
Cutting edge WxD, mm	150x18	150x18	150x18	150x18	200x18	200x18



Available accessories:
Cutting edge HB500
Cutting edge plastic
Cutting edge serrated
Bucket teeth
Spill guard

SM

A STRONG BUT STILL LIGHT SOIL BUCKET

- Ideal for heavy materials.
- Bucket design allows handling of heavy materials.
- Well suited for machines with limited rollback force.

SM	185	210
Width (outside gables), cm	186	211
Depth (max. inside), cm	70,5	70,5
Height (max. inside), cm	67,5	67,5
Volume heaped, m ³	0,60	0,68
Volume struck, m ³	0,48	0,55
Weight, kg	179**	222**
Cutting edge WxD, mm	150x16	150x16



* without Bolt on Hooks

** Euro

S Series Video!

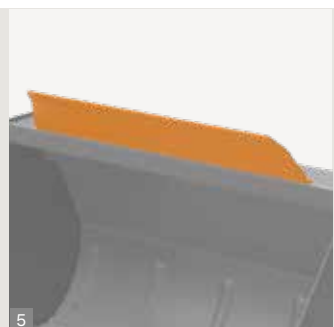


BUCKET TYPE G

The farmers favorite – the general purpose bucket. This bucket type can be used for most of everyday work at the farm. The slight convex gable design allows good penetration into tougher materials while the long bucket bottom ensures maximum filling of the bucket – all to increase your productivity.



GXL +		90	100	120	140	160	180	200	220	240	260
Width	cm							198	218	238	258
Depth	cm							140	140	140	140
Height	cm							105	105	105	105
Volume heaped	m ³							1,75	1,94	2,11	2,31
Volume struck	m ³							1,40	1,55	1,69	1,85
Weight (without BoH)	kg							497	529	588	619
GL +		90	100	120	140	160	180	200	220	240	260
Width	cm							178	198	218	238
Depth	cm							128	128	128	128
Height	cm							94	94	94	94
Volume heaped	m ³							1,23	1,40	1,55	1,71
Volume struck	m ³							1,00	1,12	1,25	1,37
Weight (without BoH)	kg							420	448	473	529
GM +		90	100	120	140	160	180	200	220	240	260
Width	cm							178	198	218	238
Depth	cm							104,5	104,5	104,5	104,5
Height	cm							78	78	78	78
Volume heaped	m ³							1,02	1,14	1,27	1,40
Volume struck	m ³							0,81	0,90	0,99	1,09
Weight (without BoH)	kg							300	324	357	380
GM		90	100	120	140	165	190	215	245	240	260
Width	cm				138	163	188	213	243		
Depth	cm				81,5	81,5	81,5	81,5	81,5		
Height	cm				71,5	71,5	71,5	71,5	71,5		
Volume heaped	m ³				0,54	0,65	0,72	0,82	0,95		
Volume struck	m ³				0,45	0,54	0,60	0,69	0,79		
Weight (without BoH)	kg				146	165	205	251	293		
GS+		90	100	120	140	160	180	200	220	240	260
Width	cm	88	98	118	138	158					
Depth	cm	82,5	82,5	82,5	82,5	82,5					
Height	cm	64,5	64,5	64,5	64,5	64,5					
Volume heaped	m ³	0,32	0,36	0,44	0,53	0,61					
Volume struck	m ³	0,26	0,29	0,36	0,42	0,48					
Weight (without BoH)	kg	108	116	135	180	197					
GS		90	100	120	135	160	185	200	220	240	260
Width	cm				137		187				
Depth	cm				78,4		78,4				
Height	cm				79		79				
Volume heaped	m ³				0,51		0,60				
Volume struck	m ³				0,40		0,71				
Weight (without BoH)	kg				126		166				



Prepared for:

- 1 Bolt on reversible cutting edge
- 2 Bolt on plastic cutting edge
- 3 Bolt on serrated cutting edge
- 4 Bolt on wall saver
- 5 Bolt on spill guard

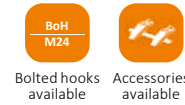


GXL+

PREMIUM GENERAL PURPOSE BUCKET FOR ALLROUND WORK

- Premium general purpose bucket for allround work.
- Ideal for telehandlers but works good with compact wheel loaders and large front end loaders.
- Available with various accessories and BoHs.

GXL+	200	220	240	260
Width (outside gables), cm	198	218	238	258
Depth (max. inside), cm	136,5	136,5	136,5	136,5
Height (max. inside), cm	101,5	101,5	101,5	101,5
Volume heaped, m ³	1,75	1,94	2,11	2,31
Volume struck, m ³	1,40	1,55	1,69	1,85
Weight, kg	497*	529*	588*	619*
Cutting edge WxD, mm	150x18	150x18	150x18	150x18



Available accessories:
Cutting edge HB500
Cutting edge plastic
Cutting edge serrated
Wall saver
Spill guard

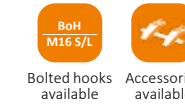
GS+

PREMIUM GENERAL PURPOSE BUCKET FOR ALLROUND WORK

- Designed for yard loaders and small compact wheel loaders.
- Available with various accessories and Bolt On Hooks.

GS+	90	100	120	140	160
Width (outside gables), cm	88	98	118	138	158
Depth (max. inside), cm	82,5	82,5	82,5	82,5	82,5
Height (max. inside), cm	64,5	64,5	64,5	64,5	64,5
Volume heaped, m ³	0,32	0,36	0,44	0,53	0,61
Volume struck, m ³	0,26	0,29	0,36	0,42	0,48
Weight, kg	108*	116*	134,5*	180,5*	197*
Cutting edge WxD, mm	100x14	100x14	100x14	150x14	150x14

Action Video!



Available accessories:
Cutting edge HB500
Cutting edge plastic
Cutting edge serrated
Wall saver
Spill guard

GL+

HIGHLY MODULAR GENERAL PURPOSE BUCKET FOR ALLROUND WORK

- Highly modular general purpose bucket for allround work.
- Ideal for telehandlers but works good with compact wheel loaders and large front end loaders.
- Available with various accessories and BoHs.

GL+	180	200	220	240	260
Width (outside gables), cm	178	198	218	238	258
Depth (max. inside), cm	124,5	124,5	124,5	124,5	124,5
Height (max. inside), cm	90,5	90,5	90,5	90,5	90,5
Volume heaped, m ³	1,23	1,40	1,55	1,71	1,90
Volume struck, m ³	1,00	1,12	1,25	1,37	1,50
Weight, kg	420*	448*	473*	529*	558*
Cutting edge WxD, mm	150x18	150x18	150x18	150x18	150x18



Available accessories:
Cutting edge HB500
Cutting edge plastic
Cutting edge serrated
Wall saver
Spill guard

GS

A VERSATILE AND LIGHT GENERAL PURPOSE BUCKET

- A lighter version of the GM bucket.
- Highly versatile.
- Well suited for lighter tasks.

GS	135	185
Width (outside gables), cm	137	187
Depth (max. inside), cm	78,4	78,4
Height (max. inside), cm	79	79
Volume heaped, m ³	0,51	0,71
Volume struck, m ³	0,40	0,60
Weight, kg	126**	166**
Cutting edge WxD, mm	100x12	100x12



* without Bolt on Hooks

** Euro

GM+

GENERAL PURPOSE BUCKET FOR SMALLER TELEHANDLERS, COMPACT WHEEL LOADERS AND LARGE FRONT LOADERS

- Conical shape and the straight gable design offers good penetration into tough materials.
- Ideal for telehandlers, compact wheel loaders and large front end loaders.
- Available with various accessories and BoHs.

GM+	180	200	220	240
Width (outside gables), cm	178	198	218	238
Depth (max. inside), cm	104,5	104,5	104,5	104,5
Height (max. inside), cm	78	78	78	78
Volume heaped, m ³	1,02	1,14	1,27	1,40
Volume struck, m ³	0,81	0,90	0,99	1,09
Weight, kg	300*	324*	357*	380*
Cutting edge WxD, mm	150x18	150x18	150x18	150x18



Available accessories:
Cutting edge HB500
Cutting edge plastic
Cutting edge serrated
Wall saver
Spill guard

GM

GENERAL PURPOSE BUCKET PERFECT FOR FRONT END LOADER USE

- Ideal for front end loaders.
- Highly versatile.
- Easy to fill and to empty.

GM	140	165	190	215	245
Width (outside gables), cm	138	163	188	213	243
Depth (max. inside), cm	81,5	81,5	81,5	81,5	81,5
Height (max. inside), cm	71,5	71,5	71,5	71,5	71,5
Volume heaped, m ³	0,54	0,65	0,72	0,82	0,95
Volume struck, m ³	0,45	0,54	0,60	0,69	0,79
Weight, kg	146**	165**	205**	251**	293**
Cutting edge WxD, mm	150x14	150x14	150x14	150x14	150x18



* without Bolt on Hooks

** Euro



G Series Video!



BUCKET TYPE V

When handling large volumes of low to medium density materials, the Quicke volume bucket is your best choice. The heavy convex gable design in combination with the large volume ensures maximum filling and prevents spillage of loose materials.



VXL+		90	100	120	140	160	180	200	220	245	265	285	305
Width	cm									246	263	286	305
Depth	cm									156	156	171	171
Height	cm									124	124	132	147
Volume heaped	m ³									3,00	3,20	4,00	5,00
Volume struck	m ³									2,40	2,60	3,20	4,00
Weight (without BoH)	kg									727	761	1120	1313

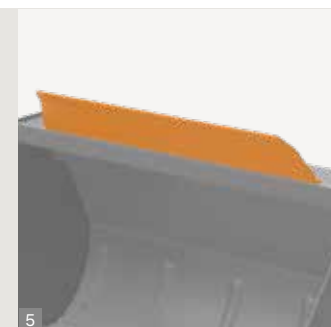
VL+		90	100	120	140	160	180	200	220	240	260	285	305
Width	cm						178	198	218	238	258		
Depth	cm						109	109	109	128	128		
Height	cm						96	96	96	106	106		
Volume heaped	m ³						1,30	1,46	1,62	2,22	2,42		
Volume struck	m ³						1,07	1,19	1,32	1,80	1,95		
Weight (without BoH)	kg						403	430	457	558	589		

VL		90	100	120	140	160	180	205	225	245	265	285	305
Width	cm							204	224	245	265		
Depth	cm							104	104	109,5	109,5		
Height	cm							83	83	98	98		
Volume heaped	m ³							1,16	1,28	1,70	1,85		
Volume struck	m ³							0,97	1,06	1,42	1,54		
Weight (without BoH)	kg							292	317	466	499		

VM		90	100	120	140	160	185	205	225	245	265	285	305
Width	cm						184	204	224	245	265		
Depth	cm						104,5	104,5	104,5	109,5	109,5		
Height	cm						98	98	98	98	98		
Volume heaped	m ³						1,45	1,60	1,70	2,00	2,20		
Volume struck	m ³						0,95	1,10	1,20	1,45	1,60		
Weight (without BoH)	kg						316	341	366	417	443		

VS		90	100	120	140	160	180	200	220	240	260	285	305
Width	cm							202	222				
Depth	cm							101,5	101,5				
Height	cm							83	83				
Volume heaped	m ³							1,13	1,25				
Volume struck	m ³							0,95	1,04				
Weight (without BoH)	kg							219	235				

VS+		90	100	120	140	160	180	200	220	240	260	285	305
Width	cm	88	98	118	138	158							
Depth	cm	97	97	97	97	97							
Height	cm	75	75	75	75	75							
Volume heaped	m ³	0,43	0,47	0,59	0,70	0,81							
Volume struck	m ³	0,35	0,39	0,47	0,56	0,64							
Weight (without BoH)	kg	118	131	157	185	211							



Prepared for:

- 1 Bolt on reversible cutting edge
- 2 Bolt on plastic cutting edge
- 3 Bolt on serrated cutting edge
- 4 Bolt on wall saver
- 5 Bolt on spill guard

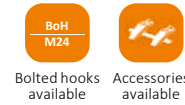


VXL+

PREMIUM VOLUME BUCKET FOR LIGHT MATERIALS

- Strong overall design and long service life.
- Available with various accessories and BoHs.
- Vision slots in the back covered with transparent plastic to prevent spillage.

VXL+	245	265	285	305
Width, cm	244	261	283	302
Depth (max. inside), cm	156	156	171	171
Height (max. inside), cm	124	124	132	147
Volume heaped, m ³	3,00	3,20	4,00	5,00
Volume struck, m ³	2,40	2,60	3,20	4,00
Weight, kg	727*	761*	1120*	1313*
Cutting edge WxD, mm	150x20	150x20	150x25	200x25



Available accessories:
Cutting edge HB500
Cutting edge plastic
Cutting edge serrated
Wall saver
Spill guard
HD cover for visitslots

VS

A COMPETITIVE BUCKET MADE FOR LIGHT MATERIALS

- Competitive and light design.
- Ideal for light materials as grain.

VS	200	220
Width, cm	202	222
Depth (max. inside), cm	101,5	101,5
Height (max. inside), cm	83	83
Volume heaped, m ³	1,13	1,25
Volume struck, m ³	0,95	1,04
Weight, kg	219**	235**
Cutting edge WxD, mm	100x14	100x14



VL+

PREMIUM VOLUME BUCKET FOR LIGHT MATERIALS

- High capacity volume bucket.
- Perfect for compact wheel loaders and large front end loaders.
- Available with various accessories and BoHs.
- Vision slots in the back covered with transparent plastic to prevent spillage (only with welded Euro and SMS).

VL+	180	200	220	240	260
Width, cm	178	198	218	238	258
Depth (max. inside), cm	107,5	107,5	107,5	124,5	124,5
Height (max. inside), cm	96	96	96	106	106
Volume heaped, m ³	1,30	1,46	1,62	2,22	2,42
Volume struck, m ³	1,07	1,19	1,32	1,80	1,95
Weight, kg	403*	430*	457*	558*	589*
Cutting edge WxD, mm	150x18	150x18	150x18	150x18	150x18



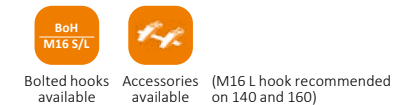
Available accessories:
Cutting edge HB500
Cutting edge plastic
Cutting edge serrated
Wall saver
Spill guard
HD cover for visitslots

VS+

LIGHT MATERIALS BUCKET FOR LIGHT MATERIAL HANDLERS

- Light materials bucket.
- Designed for yard loaders and small compact wheel loaders.
- Available with various accessories and Bolt on Hooks.

VS+	90	100	120	140	160
Width, cm	88	98	118	138	158
Depth (max. inside), cm	97	97	97	97	97
Height (max. inside), cm	75	75	75	75	75
Volume heaped, m ³	0,43	0,47	0,59	0,70	0,81
Volume struck, m ³	0,35	0,39	0,47	0,56	0,64
Weight, kg	118*	131*	157*	185*	203*
Cutting edge WxD, mm	100x14	100x14	100x14	150x14	150x14



Available accessories:
Cutting edge HB500
Cutting edge plastic
Cutting edge serrated
Wall saver
Spill guard

* without Bolt on Hooks

** Euro

VL

A STRONG BUILT VOLUME BUCKET FOR LIGHTER MATERIALS

- Sturdy light material bucket.
- Well proven design.
- Ideal for snow removal with e.g. front end loaders.

VL	205	225	245	265
Width, cm	204	224	245	265
Depth (max. inside), cm	104	104	109,5	109,5
Height (max. inside), cm	83	83	98	98
Volume heaped, m ³	1,16	1,28	1,70	1,85
Volume struck, m ³	0,97	1,06	1,42	1,54
Weight, kg	292**	317**	466**	499**
Cutting edge WxD, mm	150x14	150x14	200x18	200x18

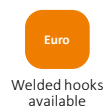


VM

LIGHT MATERIAL BUCKET WITH HIGH VOLUME CAPACITY

- High volume capacity.
- Perfect for grains and wood chips.
- Good match for front end loaders and compact wheel loaders.

VM	185	205	225	245	265
Width, cm	184	204	224	245	265
Depth (max. inside), cm	104,5	104,5	104,5	109,5	109,5
Height (max. inside), cm	98	98	98	98	98
Volume heaped, m ³	1,45	1,60	1,70	2,00	2,20
Volume struck, m ³	0,95	1,10	1,20	1,45	1,60
Weight, kg	316**	341**	366**	417**	443**
Cutting edge WxD, mm	150x14	150x14	150x14	200x18	200x18



* without Bolt on Hooks

** Euro



COMPACT & UTILITY BUCKETS

U Bucket

A UNIVERSAL BUCKET DESIGNED FOR SMALL FRONT END LOADERS

- Designed for lighter material handlers.
- Simple, robust and competitive.

U BUCKET	185 U	215 U
Width, cm	185	215
Depth (max. inside), cm	74,6	74,6
Height (max. inside), cm	61	61
Volume heaped, m ³	0,57	0,68
Volume struck, m ³	0,47	0,55
Weight, kg	173**	196**



Welded hooks available

COMPACT BUCKET C with Euro

STANDARD BUCKET SPECIALLY DESIGNED FOR COMPACT TRACTOR LOADERS WITH EURO QUICK ATTACH.

- Standard bucket for compact tractor loaders.
- Design optimized for Euro quick attach.

CS/CM/CL BUCKET	120 CS	135 CS	150 CM	130 CL	150 CL	170 CL
Width, cm	122	136	152	132	152	172
Depth (max. inside), cm	44	44	50	66,5	66,5	66,5
Height (max. inside), cm	45	45	54	59	59	59
Volume heaped, m ³	0,198	0,227	0,288	0,34	0,39	0,44
Volume struck, m ³	0,15	0,17	0,22	0,28	0,32	0,36
Weight, kg	69**	75**	91**	99**	109**	120**



Welded hooks available

COMPACT BUCKET C with Skid Steer

STANDARD BUCKET SPECIALLY DESIGNED FOR COMPACT TRACTOR LOADERS WITH SKID STEER QUICK ATTACH.

- Standard bucket for compact tractor loaders.
- Design optimized for Skid steer quick attach.

C3/C2 BUCKET	120 C3	135 C3	155 C2	170 C2	185 C2
Width, cm	120	140	157	172	187
Depth (max. inside), cm	44	44	53	53	53
Height (max. inside), cm	45	45	51	51	51
Volume heaped, m ³	0,165	0,185	0,25	0,27	0,30
Volume struck, m ³	0,135	0,15	0,19	0,21	0,23
Weight, kg	64	66	90	97	10



Welded hooks available

** Euro



SPECIAL BUCKETS

Multi Purpose Bucket

THE VERSATILE AND ROBUST TOOL FOR MATERIAL HANDLING

- Versatile multipurpose bucket.
- Digging, grabbing, grading and bottom emptying.
- Robust design ideal for front loaders.

MULTI PURPOSE BUCKET	160 MP	185 MP	210 MP	160 MPT	185 MPT	210 MPT
Width, cm	161,6	186,6	211,6	161,6	186,6	211,6
Depth (max. inside), cm	67	67	67	67	67	67
Height (max. inside), cm	67,5	67,5	67,5	67,5	67,5	67,5
Volume heaped, m ³	0,48	0,56	0,66	0,48	0,56	0,66
Volume struck, m ³	0,38	0,44	0,50	0,38	0,44	0,50
Weight, kg	267**	401**	434**	373**	407**	441**
Cutting edge WxD, mm	150x16	150x16	150x16	150x16	150x16	150x16



Welded hooks available
MP = without teeth
MPT = with teeth

High Tip Bucket XH M+

ALLOWS TIPPING AT A HIGHER LEVEL

- Increases loading height by 2,2m.
- Designed for handling low density materials as wood chips and grains.
- Well suited for front loaders and compact wheel loaders.

HIGH TIP BUCKET	160	180	200	220	240	260
Width, cm	161	181	201	221	241	261
Depth (max. inside), cm	117,3	117,3	117,3	117,3	117,3	117,3
Height (max. inside), cm	104,5	104,5	104,5	104,5	104,5	104,5
Volume heaped, m ³	1,4	1,51	1,75	1,96	2,18	2,40
Volume struck, m ³	1,2	1,37	1,52	1,64	1,86	2,08
Weight, kg	481*	514*	566*	600*	635*	669*
Cutting edge WxD, mm	180x16	180x16	180x16	180x16	180x16	180x16



Bolted hooks available



Welded hooks available



Over 210 bar Pressure relief valve needed

Special Clearing Bucket SC M+

THE PROFESSIONAL SNOW CLEARING IMPLEMENT FOR AG TRACTORS AND COMPACT WHEEL LOADERS

- Professional snow clearing.
- Reinforced and improved flaps for increased productivity.
- Available with M16 L BoH system and unique accessories such as snow plough wing.

SPECIAL CLEARING BUCKET	230
Width, cm	230
Width max., cm	392
Depth (max. inside), cm	109
Height (max. inside), cm	98
Volume heaped, m ³	1,41
Volume struck, m ³	1,14
Weight, kg	660*
Cutting edge WxD, mm	200x20



Hardened steel cutting blades



Bolted hooks available



Accessories available



Over 210 bar Pressure relief valve needed



Right hand plow wing



Different cutting edges available



Available accessories:
Plow wing (right and left hand)
Cutting edge HB500
Cutting edge plastic
Cutting edge serrated
4th electric function kit
available for all loader types

* without Bolt on Hooks

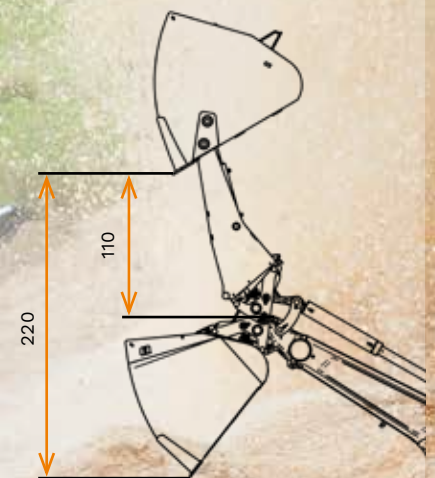
** Euro



Old design on gable plates.
In the current design the gable plates are convex.

XH High Tip Bucket

Well suited for front loaders, increases the loading height with more than 2.2m.



Grading Bucket XL

THE LARGER AND HEAVIER VERSION OF OUR POPULAR GRADING BUCKET

- All-round bucket.
- Optional spill guard.
- Optional bucket extension.

GRADING BUCKET XL	220 XL	240 XL	260 XL	280 XL	300 XL
Width (outside gables), cm	220,6	242,6	262,5	282,8	302,4
Depth (max. inside), cm	118	118	137,5	137,5	152,5
Height (max. inside), cm	54,5	54,5	54,5	54,5	54,5
Volume heaped, m ³	1,05	1,15	1,56	1,69	1,97
Volume struck, m ³	0,79	0,87	1,14	1,23	1,40
Weight, kg	646	683	900	945	1151
Cutting edge WxD, mm	200x20	200x20	200x25	200x25	250x30



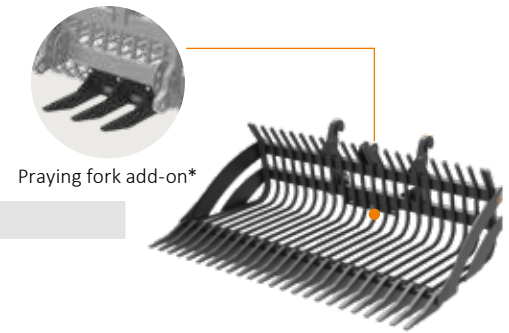
Available accessories:
Spill guard
Bucket extension

Stone Fork XL+

PICK UP, CLEAN AND TRANSPORT STONES

- Robust stone fork with improved design.
- Size and capacity well suited for large AG wheel loaders.
- Optional prying fork for picking up deeper buried stones.

STONE FORK XL+	230	255	280
Width, cm	231,5	255,5	279,5
Depth, cm	164	164	164
Height, cm	93,5	93,5	93,5
Number of tines	20	22	24
Tines profile width in front, mm	35	35	35
Distance round profile, mm	80	80	80
Strength round profile, mm	40	40	40
Weight, kg	854	925	995



Prying fork add-on*



Available accessories:
Prying fork
3-point-linkage attachment

Grading Bucket

WHEN GRADING AND LEVELLING, THIS IS THE PROFESSIONALS CHOICE

- Low back and long bottom.
- Cutting edge in the back.
- Cutting edge is in good view of the operator.

GRADING BUCKET	180	200	220	240
Width, cm	184	204	224	244
Depth (max. inside), cm	109	109	109	109
Height (max. inside), cm	48	48	48	48
Volume heaped, m ³	0,62	0,70	0,78	0,86
Volume struck, m ³	0,44	0,49	0,52	0,58
Weight, kg	282	308	333	402
Cutting edge WxD, mm	150x18	150x18	150x18	200x18



Stone Fork M+

PICK UP, CLEAN AND TRANSPORT STONES

- Available in three widths suitable for front loaders and compact wheel loaders.
- Mounted at the front end are hardened tines which point slightly downwards.
- Available with all common AG loader attachments and 3-point hitch.

STONE FORK M+	155	200	225
Width, cm	156,5	200,5	222,5
Depth, cm	111	111	111
Height, cm	85	85	85
Number of tines	15	19	21
Tines profile width in front, mm	25	25	25
Distance round profile, mm	80	80	80
Strength round profile, mm	30	30	30
Weight, kg	257	318	348



Available accessories:
3-point-linkage attachment

Grading Bucket S

A GRADING BUCKET DESIGNED FOR YARD LOADERS AND COMPACT WHEEL LOADERS

- Ideal for yard loaders.
- Available with most common yard loader hook types.
- Snow extension available as accessory.

GRADING BUCKET S	100	120	140	160
Width (outside gables), cm	98	118	138	158
Depth (max. inside), cm	83	83	83	83
Height (max. inside), cm	40	40	40	40
Volume heaped, m ³	0,22	0,275	0,33	0,385
Volume struck, m ³	0,153	0,186	0,219	0,252
Weight*, kg	110	125	160	177
Cutting edge WxD, mm	100x14	100x14	100x14	100x14



Available accessories:
Bucket extension

* Bolted accessory for digging up large stones with Stone Fork XL+.
Note: Prying fork compatibility is dependent on loader boom and tilt mechanism design.
For example telehandlers with central boom and loaders with low position of cross tube may interfere with prying fork during dump out.
Carefully check for collisions before use.

Precision Bucket

ALLOWS PIN POINT ACCURACY

- Releases material with high precision.
- Two available variants, both conical and straight.
- Cutting edge is in good view of the operator.

PRECISION BUCKET	200 PS	200 PC	250 PS	250 PC
Width, cm	114,5	54,5	115	86,5
Depth (max. inside), cm	198,5	198,5	249	249
Height (max. inside), cm	61,5	61,5	76	76
Volume heaped, m ³	0,93	0,87	1,69	1,54
Volume struck, m ³	0,87	0,71	1,55	1,40
Weight, kg	302	271	577**	566**
Cutting edge WxD, mm	150x16	150x16	200x20	200x20



* depending on hook ** Only Volvo BM Large





MANURE & SILAGE

We have had seven decades to perfect our manure and silage implements. We have spent those years adjusting and fine tuning, learning that results are in the details. It has been about finding the perfect spacing of tines that will eliminate spillage, finding the cutting knives that gives the cleanest cut and the best shape of shells. But beyond details we have the big picture. For what you see is what you get - innovative silage implements that make you work more effectively and reduces handling time.



HENRIK JÖNSSON
PRODUCT MANAGER IMPLEMENTS

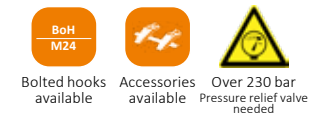
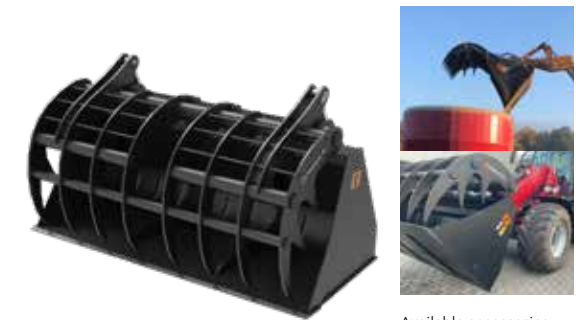
"We pride ourselves on the strength, quality and durability of our products, and the manure and silage implements are no different. We tirelessly continue to work to complement our offer, perfecting details, both in terms of large and small implements, for all kinds of machines."

Powergrab XL+

HIGH CAPACITY BUCKET GRAB DESIGNED FOR SILAGE HANDLING WITH LARGE TELEHANDLERS AND WHEEL LOADERS

- Bucket grab for silage handling.
- For use with 5 - 10 tons lift capacity material handlers.
- Compatible with Z-link loaders.

POWERGRAB XL+	240	260	280	295
Width, cm	245	260	280	300
Depth, cm	116	116	116	116
Volume, m ³	2,45	2,65	2,85	3,00
Max. opening, cm	213	213	213	213
Weight, kg	1336	1380	1425	1458
Cutting edge WxD, mm	200x20	200x20	200x20	200x20



Available accessories:
Cutting edge HB500
Pressure relief valve
Load-hold/Pressure relief valve

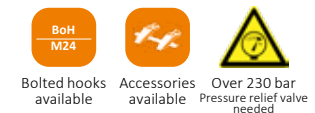
Powergrab L+

EFFICIENT BUCKET GRAB DESIGNED FOR SILAGE HANDLING WITH LARGE FRONT LOADERS, TELEHANDLERS AND WHEEL LOADERS

- Bucket grab for Silage handling.
- For use with 4 - 5,5 tons lift capacity material handlers.
- Compatible with Z-link loaders.

POWERGRAB L+	200	220	240	260
Width, cm	200	220	240	260
Depth, cm	100	100	100	100
Volume, m ³	1,60	1,75	1,95	2,10
Max. opening, cm	200	200	200	200
Weight, kg	917	957	1060	1097
Cutting edge WxD, mm	200x20	200x20	200x20	200x20

Action Video!



Available accessories:
Cutting edge HB500
Pressure relief valve
Load-hold/Pressure relief valve

Powergrab M+

HIGHLY PRODUCTIVE BUCKET GRAB FOR SILAGE HANDLING WITH MEDIUM SIZED HANDLERS

- Ideal for farms with high feeding rate of clamp silage.
- Powerful grab and solid bucket base makes it perfect for maize silage extraction.
- Designed for use with front loaders, compact wheel loaders and up to medium sized telehandlers.

POWERGRAB M+	165	180	200	220	240	260
Width, cm	165	180	200	220	240	260
Depth, cm	116	116	116	116	116	116
Volume, m ³	1	1,1	1,2	1,3	1,4	1,5
Max. opening, cm	162	162	162	162	162	162
Weight (Single grab head)*, kg	553	583	615	656	755	777
Weight (Single grab head Euro), kg	-	-	610	651	750	-
Weight (Dual grab head)*, kg	-	-	-	-	748	768
Cutting edge WxD, mm	150x18	150x18	150x18	150x18	150x18	150x18



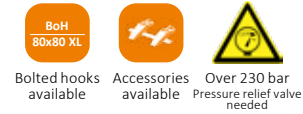
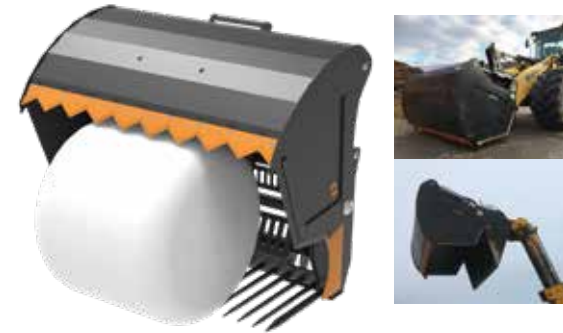
Available accessories:
Cutting edge HB500
Pressure relief valve
Load-hold/Pressure relief valve



Silocut XL+

HIGH-CAPACITY SHEAR GRAB FOR CUTTING SILAGE FROM SILAGE CLAMP AND SPLITTING BALES

- High-capacity shear grab with tines or bucket.
- Cuts both silage and bales.
- Available with 80x80 XL BoH system and optional bale wrap handler and push out.



Available accessories:
 Bale Wrap Handler
 Hydraulic push-out
 (for forged-/profiled tine version)
 Pressure relief valve
 Load-hold/Pressure relief valve
 Sequencer Valve

SILOCUT XL+	225	250
Working width, cm	225	250
Opening height total, cm	187-192	192
Opening, cm	125-128	125-128
Height total, cm	139	139
Depth inside until implement back, cm	84-86	84-86
No. of cylinders	2	2
Cylinder sizes	125/60	125/60
Volume, m ³	2,4	2,7
No. of tines (forged, profiled)	15-18	17-20
Cutting edge WxD, mm (bucket)	220x20	220x20
Weight*, kg (forged)	1381	1498
Weight*, kg (profiled)	1469	1615
Weight*, kg (bucket)	1498	1632

Example pictures showing the three different variants:



F = Forged tine version P = Profiled tine version B = Bucket version

Available accessories:



Hydraulic push-out Bale wrap handler Sequencer valve

Silocut M+

WELL PROVEN SHEAR GRAB SUITED FOR FRONT LOADERS, COMPACT WHEEL LOADERS AND MID-SIZE TELEHANDLERS

- Cuts cleanly in the silage clamp.
- Perfect size and capacity for front loaders, telehandlers and lighter wheel loaders.
- Features 80x80 Bolt on hooks and accessories.



SILOCUT M+ (F AND P VERSION)	125**	150	175	200	225
Working width, cm	125	150	175	200	225
Opening height total, cm	133	133	133	133	133
Opening, cm	77	77	77	77	77
Height closed, cm	95	95	95	95	95
Depth inside until implement back, cm	67	67	67	67	67
No. of cylinders	2	2	2	3	3
Cylinder sizes	90/40	100/50	110/50	90/40-100/50	100/50
Volume, m ³	0,8	0,95	1,1	1,25	1,4
No. of tines	10	12	14	16	18
Weight*, kg (forged)	476	528	609	751	790
Weight*, kg (profiled)		507	595	720	759



Available accessories:
 Back screen
 Hose kits
 Pressure relief valve
 Load-hold/Pressure relief valve

Example pictures showing the two different variants:



F = Forged tine version P = Profiled tine version

Available accessories:



Silage backscreen Pressure relief valve



Sharp knives are key to high efficiency when working with silage. By having a clean cut, it prevents the admission of air and generation of heat, critical for feed quality. Should the knives lose their sharpness, they are – like every other part, big or small – easy to replace.

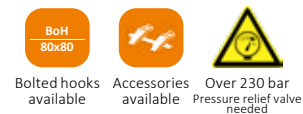
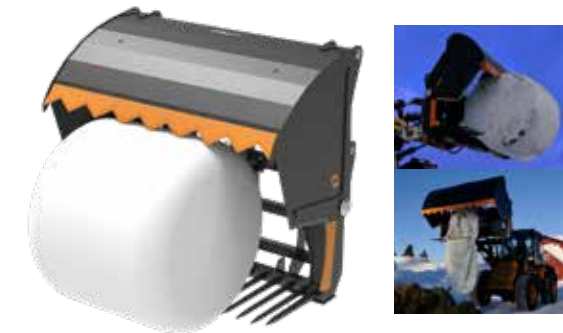
* without Bolt on Hooks

** Only available as forged tine version

Silocut L+

VERSATILE SHEAR GRAB FOR CUTTING SILAGE FROM SILAGE CLAMP AND SPLITTING BALES

- Versatile shear grab with tines or bucket.
- Cuts both silage and bales.
- Bale wrap handler and push out available as accessories.



Available accessories:
 Bale Wrap Handler
 Hydraulic push-out
 (for forged-/profiled tine version)
 Pressure relief valve
 Load-hold/Pressure relief valve
 Sequencer Valve

SILOCUT L+	175	200	225	250
Working width, cm	175	200	225	250
Opening height total, cm	178-184	178-184	178-184	178-184
Opening, cm	126	126	126	126
Height total, cm	125	125	125	125
Depth inside until implement back, cm	83	83	83	83
No. of cylinders	2	2	2	2
Cylinder sizes	110/50	125/60	125/60	125/60
Volume, m ³	1,4	1,6	1,8	2,0
No. of tines (forged, profiled)	14	16	18	20
Cutting edge WxD, mm (bucket)	150x18	150x18	150x18	150x18
Weight*, kg (forged)	924	994	1053	1122
Weight*, kg (profiled)	914	984	1041	1110
Weight*, kg (bucket)	979	1052	1110	1170

Example pictures showing the three different variants:



F = Forged tine version P = Profiled tine version B = Bucket version

Available accessories:



Hydraulic push-out Bale Wrap Handler Sequencer Valve

Action Video!



Silocut Range Video!



* without Bolt on Hooks

MULTIGRAB M+

MULTI-FUNCTIONAL BUCKET GRAB FOR MANURE, SILAGE AND WASTE HANDLING

- The ultimate solution for handling manure, silage, and waste.
- Smart basic design and clever accessories takes your operations to the next level.
- Designed for use with front loaders, compact wheel loaders and up to medium sized telehandlers.

MULTIGRAB M+	200	220	240	260
Width, cm	200	220	240	260
Depth (max. inside), cm	121	121	121	121
Height (max. inside), cm	106	106	106	106
Volume, m ³	1,30	1,45	1,60	1,75
Opening Height total, cm	162	162	162	162
Weight, kg	560	589	673	694

When handling logs or similar objects clamp edge or clamp bar must be assembled to prevent damage to tines.



BoH M16 L
Bolted hooks available

Accessories available

Over 210 bar
Pressure relief valve needed

Available accessories:
Bolt on cutting edge
Bolt on clamp bar
Bolt on clamp edge
Bolt on glove
Bolt on gables
Bolt on cylinder protection
Pressure restrictor
Load hold valve

MULTIGRAB C for Compact Tractors

MULTI-FUNCTIONAL BUCKET GRAB FOR COMPACT TRACTORS

- Makes the most out of your compact tractor.
- Available with accessories such as clamp edge and bolt on gables.

MULTIGRAB C	120 CS	120 C	140 C	170 C*
Width, cm	121	121	137	170
Depth (max. inside), cm	46	53	53	53
Height (max. inside), cm	45	53,6	54	54
Volume, m ³	0,22	0,30	0,335	0,42
Opening Height total, cm	91	107	107	107
Weight, kg	90	133**	141**	161**

When handling logs or similar objects clamp edge or clamp bar must be assembled to prevent damage to tines.

* Only available with Euro
** Euro



BoH M16 L
Bolted hooks available

Euro Skid steer
Welded hooks available

Accessories available

Max 175 bar
hydr. pressure

Available accessories:
Bolt on clamp edge
Bolt on side sheets

Multibenne XL

FOR ALLROUND GRABBING AND SCOOPING IN A LARGER FORMAT

- Durable implement with high capacity.
- Conical design for optimum filling and emptying.
- With a bolt on cutting edge.

MULTIBENNE XL	190	210	230	250
Width, cm	190	210	230	250
Depth, cm	94,5	94,5	116,5	116,5
Height closed, cm	104	104	117	117
Height opened, cm	165	165	189	189
Volume, filled and closed, m ³	1,0	1,16	1,74	1,85
Weight without hooks, kg	615	670	881	932
Cutting edge 3 piece, bolted WxD, mm	200x20	200x20	250x25	250x25



BoH Rail L
Bolted hooks available

Accessories available

Over 230 bar
Pressure relief valve needed

Available accessories:
Bolt on side sheets
Pressure relief valve
Load-hold/Pressure relief valve
Spill guard

Multibenne M+

A HIGHLY VERSATILE BUCKET GRAB FOR FRONT LOADERS, COMPACT WHEEL LOADERS AND UP TO MID-SIZE TELEHANDLERS

- Multi functional implement for silage and manure handling.
- Size and dimensions are ideal for use with front loaders, compact wheel loaders and up to mid-size telehandlers.
- Available with accessories and M16 L BoHs makes this implement available for various material handlers.

MULTIBENNE M+	130	150	170	190	210	230	250
Width, cm	130	150	170	190	210	230	250
Depth, cm	80	80	80	80	80	80	80
Number of tines	7	8	9	10	11	12	13
Volume, m ³	0,66	0,76	0,86	0,96	1,07	1,17	1,27
Weight, kg	280	304	360	386	423	447	477



BoH M16 L
Bolted hooks available

Euro
Welded hooks available

Accessories available

Over 210 bar
Pressure relief valve needed

Available accessories:
Bolt on side sheets
Pressure relief valve
Load-hold/Pressure relief valve

Multibenne S+

A HIGHLY VERSATILE BUCKET GRAB FOR YARD LOADERS AND SMALLER COMPACT WHEEL LOADERS

- Design optimized for yard loaders and compact wheel loaders.
- Handles all types of feed, silage and manure.
- Available with various accessories and BoHs

MULTIBENNE S+	90	100	120	140	160
Width, cm	90	100	120	140	160
Depth, cm	86	86	86	86	86
Volume, m ³	0,38	0,43	0,52	0,62	0,71
Number of tines	5	5	6	7	8
Weight, kg	168	176	224	274	298



BoH M16 S/L
Bolted hooks available

Accessories available

Max pressure 210 bar

Available accessories:
Bolt on side sheets
Cutting edge HB500
Cutting edge plastic
Cutting edge serrated

Multigrab C Video!



Action Video!



Silograb XL

GRABBING SOFT MATERIAL ON A LARGER SCALE

- Large heavy design.
- Welded sleeves and forged tines.
- Heavy duty implement with a long service life.

SILOGRAB XL	190	210	230	250
Width, cm	190	210	230	250
Depth, cm	120	120	140	140
Volume, m ³	1.0	1.1	1.7	1.9
Height closed, cm	104	104	190	190
Height open, cm	163	163	190	190
Number of tines	10	11	12	13
Weight without hooks, F-tines, kg	619	667	851	900
Weight without hooks, P-tines, kg	560	600	750	800



- Bolted hooks available
 - Accessories available
 - Over 230 bar Pressure relief valve needed
- Available accessories:
 Cover for see through holes
 Spill guard
 Pressure relief valve
 Load-hold/Pressure relief valve
- P = profile tines welded
 F = forged tines cone 2 bolted

Silograb M+

A HIGHLY VERSATILE FORK GRAB FOR FRONT LOADERS, COMPACT WHEEL LOADERS AND UP TO MID-SIZE TELEHANDLERS

- Implement perfect for silage and manure handling.
- Size and dimensions are ideal for use with front end loaders, and compact wheel loaders.
- Available with M16 L BoHs allowing this implement to be used by many material handlers.

SILOGRAB M+	130	150	170	190	210	230	250
Width, cm	130	150	170	190	210	230	250
Depth, cm	85	85	85	85	85	85	85
Volume, m ³	0,69	0,79	0,90	1,01	1,11	1,22	1,33
Number of tines	7+7	8+8	9+9	10+10	11+11	12+12	13+13
Weight, kg	250	270	300	320	355	377	405



- Bolted hooks available
 - Welded hooks available
 - Accessories available
 - Over 210 bar Pressure relief valve needed
- Available accessories:
 Pressure relief valve
 Load-hold/Pressure relief valve

Silograb S+

A HIGHLY VERSATILE FORK GRAB FOR YARD LOADERS AND SMALLER COMPACT WHEEL LOADERS

- Design optimized for yard loaders and compact wheel loaders.
- Excellent penetration into both silage and manure.
- Available with Bolt On Hooks.

SILOGRAB S+	90	110	130	150
Width, cm	95	115	135	155
Depth, cm	87,5	87,5	87,5	87,5
Volume, m ³	0,43	0,52	0,62	0,71
Number of tines	5+5	6+6	7+7	8+8
Weight*, kg	165	213	245	277



- Bolted hooks available
 - Max pressure 210 bar
- Action Video!**
-



Manure Fork XL

FOR HANDLING OF MANURE AND OTHER SOFT MATERIALS FOR LARGER MACHINES

- Large heavy design.
- Welded sleeves and forged tines.
- Heavy duty implement with a long service life.

MANURE FORK XL	190	210	230	250
Width, cm	187	209	229	249
Depth, cm	85	85	111	111
Number of tines, mm	10	11	12	13
Length of tines, Konus 2, mm	995	985	1240	1240
Weight, kg	324	353	458	488



- Bolted hooks available
 - Accessories available
- Available accessories:
 Cover kit for implement back
 Spill guard
- Manure Fork Range!**
-

Manure Fork M+

SIMPLE HANDLING OF MANURE FOR FRONT END LOADERS, SMALL TO MID TELEHANDLERS AND COMPACT WHEEL LOADERS

- Simple and effective handling of manure and other soft materials.
- Ideal for use with front end loaders, and compact wheel loaders.
- M16 BoH prepared.

MANURE FORK M+	130	150	170	190	230
Width, cm	130	150	170	190	230
Depth, cm	85	85	85	85	85
Number of tines, 820, mm	7	8	9	10	12
Weight, kg	123	136	152	165	203



- Bolted hooks available
- Welded hooks available



WE'VE GOT SPARE PARTS CLOSE BY EVEN WHEN YOU'RE FAR AWAY

Spare parts are available for everything from the biggest to the tiniest detail on the implement, and we've got them close by. Our world-leading distribution network guarantees proximity to you, no matter where you are.

All you need to do is contact your local dealer.

Original Parts by Quicke



BALE HANDLING

Our wide selection of bale handling equipment simplifies your work and makes you more productive. We offer a number of different tools for handling bales in different ways. You might want an implement that can handle both square and round bales or an implement that handles bales from the bottom and can deal with plastic bales as well as hay bales. Or why not an implement that splits bales? No matter your preconditions or desires, we have the right tool for you.



ERIC LENNARTSSON
MILK FARMER IN SWEDEN

This is Eric, one of our many test pilots. When we develop new implements, and improve our existing ones, we use farmers all over the world to test and verify the products. That way, we make sure that our products fulfil the needs of our customers on all our markets.

Unigrip™

UNIGRIP HAS WELL PROVEN DESIGN AND A LOW NET WEIGHT

- For low weight and flexibility.
- Arm profile perfectly designed for reaching bales stacked close together.
- No sharp edges, perfect for plastic bales.

UNIGRIP™	130	160
Bale size min. – max., cm	90 – 130	120 – 160
Weight, kg	200	240



- Bolted hooks available
- Welded hooks available
- Accessories available
- Over 210 bar Pressure relief valve needed

Available accessories:
Pressure relief valve
Load-hold/Pressure relief valve

Flexigrip™

FLEXIGRIP IS A HEAVY DUTY IMPLEMENT WITH SOME HELPFUL FEATURES

- Perfect for stacking upright bales.
- Uniquely curved and rounded shapes.
- 90 mm tubes.

FLEXIGRIP™	160	200
Bale size min. – max., cm	120 – 160	150 – 200
Weight, kg	262	287



- Bolted hooks available
- Welded hooks available
- Accessories available
- Over 210 bar Pressure relief valve needed

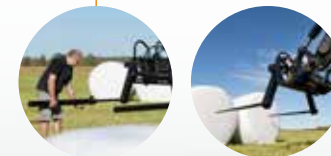
Available accessories:
Pressure relief valve
Load-hold/Pressure relief valve
Back stop

Flexibal®

FLEXIBAL IS A STRONG AND VERY FLEXIBLE IMPLEMENT

- With small or larger diameter rollers.
- Doubles as a bale fork when rollers are removed.
- Minimising risk of damage.

FLEXIBAL	89 MM PIPE PROFILE	127 MM PIPE PROFILE
Bale size min-max., cm	120-180	120-180
Weight, kg	195	195



- Bolted hooks available
- Welded hooks available
- Accessories available
- Over 210 bar Pressure relief valve needed

Available accessories:
Pressure relief valve
Load-hold/Pressure relief valve



Quadrogrip TS®

THE BEST IMPLEMENT ON THE MARKET FOR HANDLING SQUARE AND ROUND BALES. TELESCOPIC DESIGN REDUCES SPACE NEEDED FOR HANDLING AND STACKING BALES

- Ideal for square bales in most sizes.
- Telescopic design makes it perfect in narrow spaces.
- Available with various accessories, e.g. back stop and load holding valve.

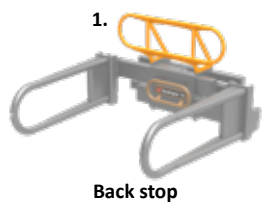
QUADROGRIP TS	135CM ARMS	160CM ARMS
Height, cm	53,5	53,5
Bale size, max., cm	200	200
Bale size, min., cm	60	60
Width fully closed, cm	175	175
Width fully extended, cm	251	251
Depth total, cm	180	205
Weight, kg	420	428
Carrying capacity, kg	1500	1500



- Bolted hooks available
- Welded hooks available
- Accessories available
- Over 210 bar Pressure relief valve needed



Available accessories:
 Back stop (1.)
 Pressure relief valve
 Load-hold/Pressure relief valve (2.)
 Flow divider (3.)*
 * Synchronised arm movement



1. Back stop



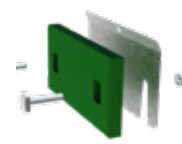
2. Load-hold/Pressure relief valve



2.-3. 2. & flow divider



Shims in stainless steel in thickness 0,5mm and 0,7mm to minimize gap between plastic and arm.



Plastic Ertalon LFX wear pad, self lubricating nylon plastic with improved wear resistance.



- FRONT LOADERS
- WHEEL LOADERS
- TELEHANDLERS
- YARD LOADERS
- SKIDSTEERS

Topgrip

TOPGRIP PROPOSES A UNIQUE WAY OF HANDLING ROUND OR SQUARE BALES

- For round and square bales.
- No sharp edges, perfect for plastic bales.
- For re-handling bales that are stacked closely together.

TOPGRIP	120
Bale size min. – max., cm	100 – 150
Weight, kg	195

Action Video!



- Bolted hooks available
- Welded hooks available
- Accessories available
- Over 210 bar Pressure relief valve needed



Available accessories:
 Pressure relief valve
 Load-hold/Pressure relief valve

BALE FORKS

Our wide selection of bale handling equipment simplifies your work and makes you more productive. We offer a number of different tools for handling bales in different ways. No matter your preconditions or desires, we have the right tool for you.

SELECT THE BEST EQUIPMENT

Our implements for bales are characterised by heavy-duty bearings in the implement arms, large gripping surfaces that distribute the pressure optimally as well as no sharp edges. We accept no compromise – quality must come first.

www.quicke.nu



HENRIK JÖNSSON
 PRODUCT MANAGER IMPLEMENTS

As the responsible product manager for implement development I am always looking for ways to improve our bale handling equipment, to help our customers on their farms in the best possible way. This we assure through intensive field testing before our products are being launched on the market.

Bale Fork XL+ 200

FOR TRUE PROFESSIONAL USERS PROVIDING HIGHEST BALE CARRYING CAPACITY

- The professionals choice with highest capacity.
- Available with many accessories to further increase your productivity.
- Perfect for telehandlers and wheel loaders.

BALE FORK XL+ 200	200
Width, cm	200
Height, cm	176
Max. height with extensions/top beam, cm	187/295
Max. load capacity, kg	2500
No. of tines, Konus 2	Up to 5
Weight*, kg	157

* Weight without tines

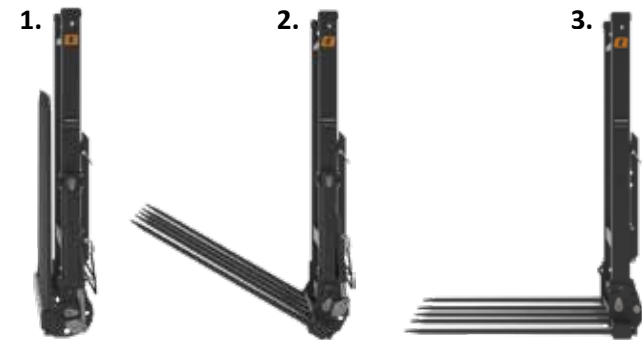


Bolted hooks available



Accessories available

Available accessories:
 Extension beams
 Top beam
 Hydraulic control of foldable tines
 Supporting tines to main frame
 Top grab (Requires extension beams)



Bale Fork XL+ 200 has three settings:
 1. Transport, tines locked in parallel with back frame.
 2. Free floating within slotted hole.
 3. Parking, tines locked 90° towards back frame.

Available tine sets:
 Tine set 2 pieces: 82 cm / 124 cm
 Tine set 3 pieces: 82 cm / 124 cm
 Tine set 4 pieces: 82 cm / 124 cm
 Tine set 5 pieces: 82 cm / 124 cm



Top grab has large working angle increasing its use. Since Top grab tines are curved they secure the stack of bales also when coming from the back.

Extension beams are required in order to use the Top grab accessory.

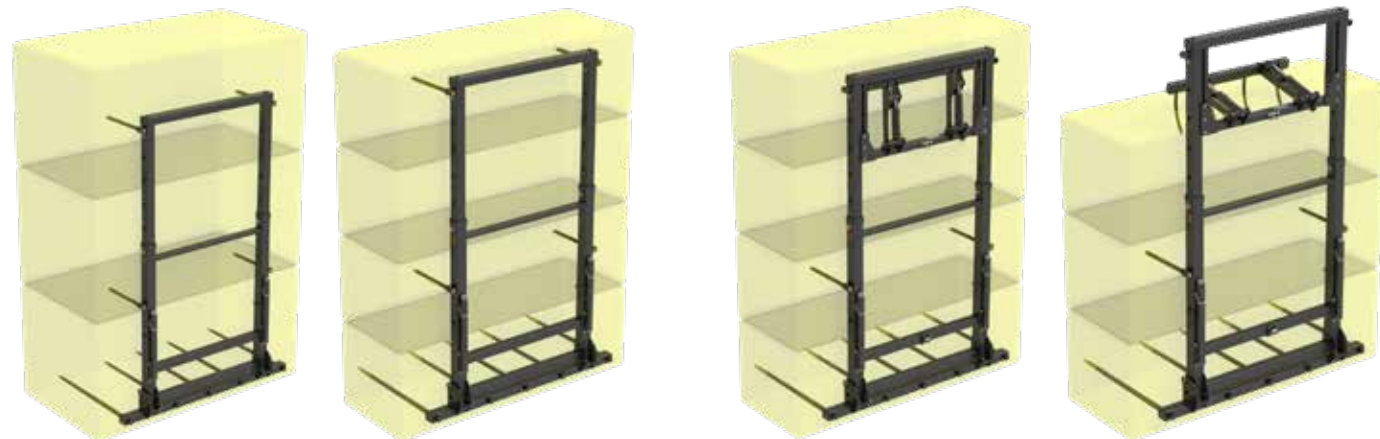
Thanks to the integrated design it works perfect also inside the bale shed. Top grab require extension beams and secures the stack of bales by pressing the upper bale downwards. This feature allows more safe and faster transport on the field to increase productivity.

Top grab can be adjusted in height depending on requested bale stack height and can be used to both penetrate bale from above or from the back.



Without hydraulic top grab

With hydraulic top grab



Bale Fork Range!



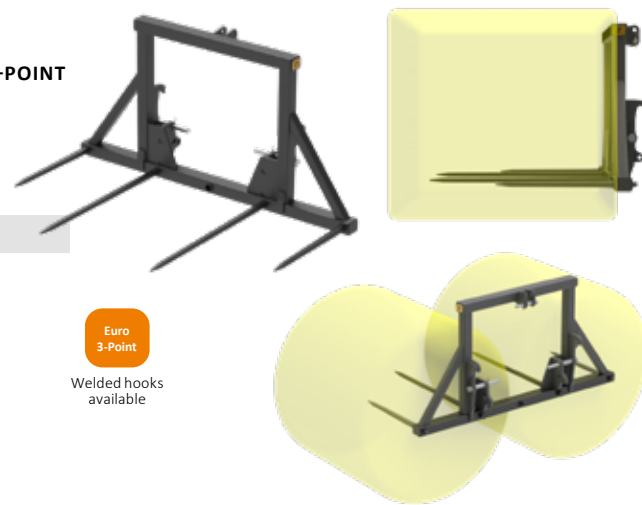
Bale Fork L 200

BALE FORK WITH HIGH CAPACITY IDEAL TO MOUNT EITHER ON FRONT- OR REAR 3-POINT HITCH, OR WHY NOT BOTH!

- Robust wide frame.
- Can be used for both round and square bales.
- Allows mounting to the tractors front and rear hitch of tractor as well to front loaders.

BALE FORK L 200	200
Width, cm	200
Height, cm	102
Max. load capacity, kg	2500
No. of tines, Cone 2	Up to 5
Weight*, kg	170

Available tine sets:
 Tine set 2 pieces: 82 cm / 124 cm Tine set 4 pieces: 82 cm / 124 cm
 Tine set 3 pieces: 82 cm / 124 cm Tine set 5 pieces: 82 cm / 124 cm



Euro 3-Point
Welded hooks available

Bale Fork L+ 150 (fixed tines)

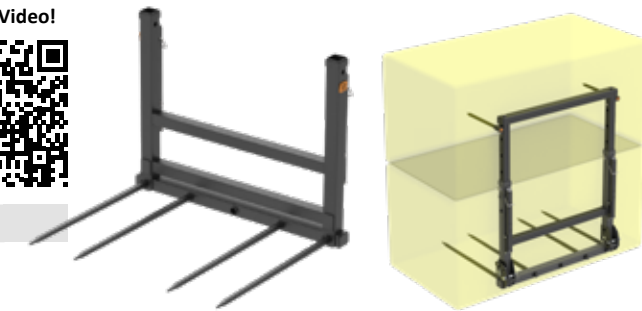
BALE FORK FOR THE FARMER WITH HIGH DEMAND ON EFFICIENCY

- High capacity bale fork with fixed tines.
- Available with accessories to further increase your productivity.
- Ideal for large front loaders, telehandlers and wheel loaders.

BALE FORK L+ 150 (FIXED TINES)	150
Width, cm	152,5
Height, cm	116,5
Max. height with extensions/top beam, cm	176/184
Max. load capacity, kg	2000
No. of tines, Cone 2	Up to 5
Weight*, kg	98,5

Available tine sets:
 Tine set 2 pieces: 82 cm / 124 cm Tine set 4 pieces: 82 cm / 124 cm
 Tine set 3 pieces: 82 cm / 124 cm Tine set 5 pieces: 82 cm / 124 cm

Action Video!



BoH 80x80
Bolted hooks available

Accessories available

Available accessories:
 Extension beams
 Top beam

Bale Fork L+ 150 (folded tines)

BALE FORK FOR THE FARMER WITH HIGH DEMAND ON EFFICIENCY

- High capacity Bale fork with foldable tines.
- Available with accessories to further increase your productivity.
- Ideal for large front loaders, Telehandlers and Wheel loaders.

BALE FORK L+ 150 (FOLDED TINES)	150
Width, cm	152,5
Height, cm	116,5
Max. height with extensions/top beam, cm	176/184
Max. load capacity, kg	2000
No. of tines, Cone 2	Up to 5
Weight*, kg	122

Available tine sets:
 Tine set 2 pieces: 82 cm / 124 cm Tine set 4 pieces: 82 cm / 124 cm
 Tine set 3 pieces: 82 cm / 124 cm Tine set 5 pieces: 82 cm / 124 cm



BoH 80x80
Bolted hooks available

Accessories available

Available accessories:
 Extension beams
 Top beam
 Hydraulic control of foldable tines

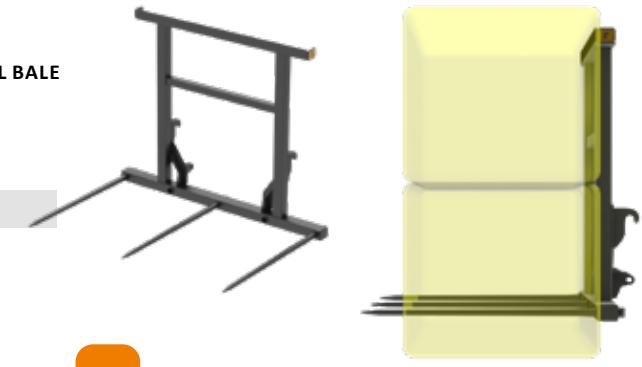
Bale Fork M 180

BALE FORK WITH HIGHER CAPACITY AND WITH SUPPORT TO STACK AN ADDITIONAL BALE

- Wide frame with up to five Q-tines.
- High back frame provides stability for second bale.
- Welded Euro hooks makes it perfect for front loaders.

BALE FORK M 180	180
Width, cm	180
Height, cm	140
Max. load capacity, kg	2000
No. of tines, Cone 2	Up to 5
Weight*, kg	135

Available tine sets:
 Tine set 2 pieces: 82 cm / 124 cm Tine set 4 pieces: 82 cm / 124 cm
 Tine set 3 pieces: 82 cm / 124 cm Tine set 5 pieces: 82 cm / 124 cm



Euro
Welded hooks available

Bale Fork M 140

THE SIMPLE WAY OF HANDLING SQUARE AND ROUND BALES

- For transporting straw and hay bales.
- Can carry up to two bales.

BALE FORK M 140	140
Width, cm	140
Max. load capacity, kg	1500
No. of tines, Konus 2	Up to 5
Weight, kg	78

Available tine sets:
 Tine set 2 pieces: 82 cm / 124 cm Tine set 4 pieces: 82 cm / 124 cm
 Tine set 3 pieces: 82 cm / 124 cm Tine set 5 pieces: 82 cm / 124 cm



Euro MM Skid steer
Welded hooks available

Accessories available

Available accessories:
 Frame extension

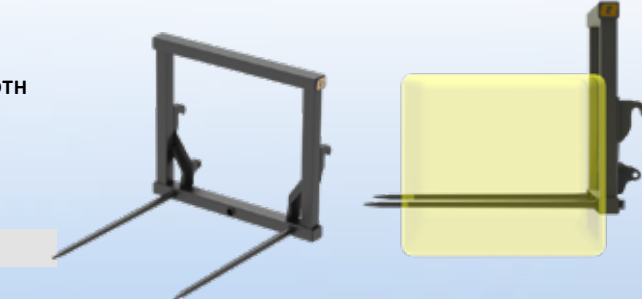
Bale Fork S+ 115

BALE FORK IDEAL FOR LIGHTER MATERIAL HANDLERS AND THANKS TO NARROW WIDTH ALSO SUITABLE INSIDE STABLES

- Simple and robust.
- Well suited for yard loaders and smaller front end loaders.
- Chose up to three Q-tines in different lengths.

BALE FORK S+ 115	115
Width, cm	115
Height, cm	100
Max. load capacity, kg	1000
No. of tines, Cone 2	Up to 3
Weight*, kg	98,5

Available tine sets:
 Tine set 2 pieces: 82 cm / 124 cm
 Tine set 3 pieces: 82 cm / 124 cm



BoH 40x80
Bolted hooks available

Euro
Welded hooks available

* Weight without tines

* Weight without tines

Bale Spike

THE SIMPLE AND CLASSIC WAY TO HANDLE ROUND BALES

- To handle round bales.
- Longer tine to safely transport the bale.
- Shorter tines stops bale from rotating.

BALES SPIKE

Width, cm	127
Tines length, cm	125
Weight, kg	60



BoH
40x80

Euro
Skid steer

Bolted hooks available Welded hooks available

Silosplit®

SPLITS AND TRANSPORTS BALES

- Easiest way of cutting bales.
- Can transport and split bales.
- Doubles as a bale spike.

SILOSPPLIT

Width, cm	120
Cutter length, cm	170
Weight, kg	110



BoH
40x80

Bolted hooks available



LIFTING IMPLEMENTS

Pallet forks and big bag lifters, with plenty of accessories to meet your specific needs and tasks. When you choose lifting implements from Quicke, you choose maximum productivity and comfort.



LARS JOHANSSON
MECHANICAL DESIGNER

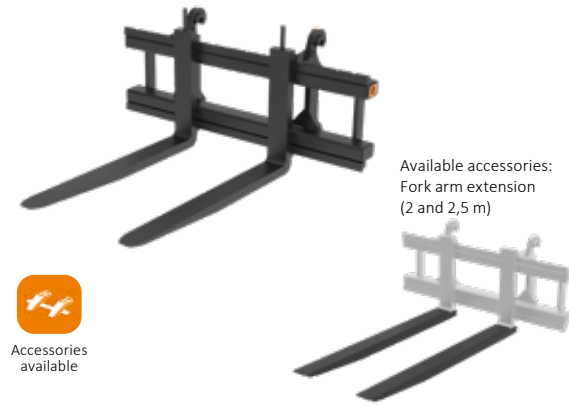
As the responsible designer for hook systems and also heavily involved in other projects, like the lifting implements, I am always looking for ways to improve our line of implements and fulfil the needs of our customers - the farmers. It is important that we stay close and connected to them, to make sure we provide them with ways to work smarter, not harder.

Pallet Fork XL [CAPACITY 8000 KG; FRAME WIDTH 200 CM]

PALLET FORK XL IS THE PERFECT CHOICE FOR HEAVY LOADS

- For heavy load applications.
- 2 meter wide frame to support various types of material handling.
- Available with fork extensions.

PALLET FORK XL		
Frame width (Type FEM III), cm	200	
Fork arms (Type FEM III A), kg	8000	
Length, cm	122	150
Dimension of fork arms, mm	150x65	150x65
Weight (differ by hook), kg	532	576
ACCESSORIES:		
Fork arm extension, cm	<200	<250



Available accessories:
Fork arm extension
(2 and 2,5 m)



Accessories available

Available hooks for Pallet fork XL:
VOLVO BM Large, JCB Q-FIT, Claas Scorpion, Manitou MLT, Merlo ZM3 3Pin

Pallet Fork S [CAPACITY UP TO 2500 KG; FRAME WIDTH 100/120 CM]

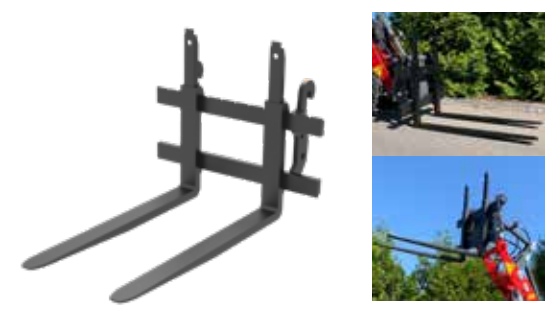
PALLET FORK S IDEAL FOR YARD/COMPACT LOADER

- Narrow design for easy access in limited spaces.
- See through design for full control of your work.
- Available with the most common hook types.

PALLET FORK S					
Frame width (Type FEM II), cm	100/120				
Fork arms (Type FEM II B), kg	1000	1600			2500
Length, cm	97	122	97	122	122
Dimension of fork arms, mm	80x32	80x32	80x40	80x40	100x40
Weight (differ by hook), kg	112	122	130	136	157

Available hooks for Pallet fork S frame 100 cm width:
SMS, Avant, Giant, Kramer Compact, Weidemann, Schäffer Standard (SHW), Schäffer Hoftrack, Zettelmeyer 402/Volvo L20

Available hooks for Pallet fork S frame 120 cm width: Euro



Available accessories:
Bale spike



Accessories available

Action Video!

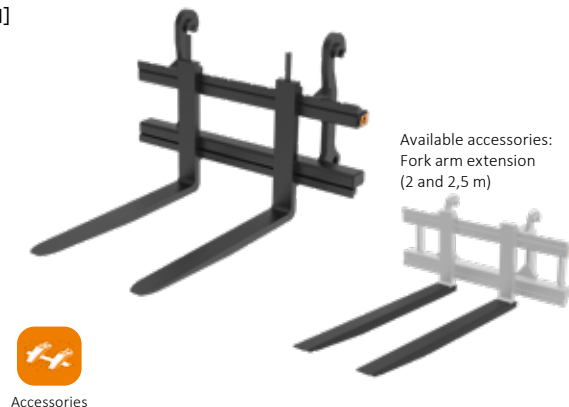


Pallet Fork L [CAPACITY 5000/3500 KG; FRAME WIDTH 150/120 CM]

PALLET FORK L IS IDEAL FOR TELEHANDLERS AND WHEEL LOADERS

- For heavy load applications.
- 1,2 and 1,5 meter frame width makes it perfect regardless machine type.
- Available with fork extensions.

PALLET FORK L				
Frame width (Type FEM III), cm	120	150	120	150
Fork arms (Type FEM III B), kg	3500	3500	5000	5000
Length, cm	122	150	122	150
Dimension of fork arms, mm	125x45	125x45	150x50	150x50
Weight (differ by hook), kg	278	304	333	363
ACCESSORIES:				
Fork arm extension, cm	<200	<250	<200	<250



Available accessories:
Fork arm extension
(2 and 2,5 m)



Accessories available

Available hooks for Pallet fork L:
Bobcat / FDI / MF, Caterpillar CAT TH, Claas Scorpion, CNH LM, Dieci medium, Dieci large, Euro, JCB Q-Fit, JLG / Deutz Fahr, Kramer High, Manitou MLT, Matbro Pin and Cone, Merlo ZM2, Merlo, Merlo ZM3 3PIN, Schäffer Standard (SHW), Schäffer HD (Type KR), Volvo BM large, Weidemann, Weidemann 50-50, Zettelmeyer 602/Volvo L30, Sennebogen/Fendt



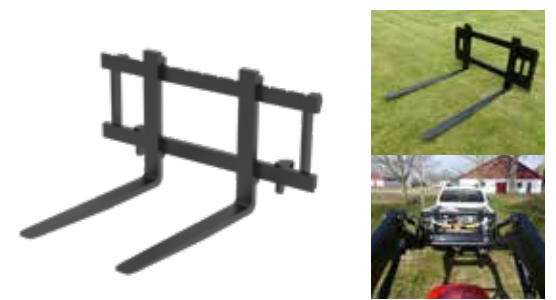
Pallet Fork C [CAPACITY UP TO 800 KG; FRAME WIDTH 115,4 CM]

PALLET FORK C FOR COMPACT TRACTOR LOADERS

- Designed with low weight and capacity perfected for compact tractor loaders.
- See through design for full control of your work.
- Available with Euro and Skid steer.

PALLET FORK C		
Frame width (Type FEM II), cm	115,4	
Fork arms (Type FEM II B), kg	800	
Length, cm	80	106
Dimension of fork arms, mm	80x32	80x32
Weight (differ by hook), kg	97	107

Available hooks for Pallet fork C frame 115 cm width:
Euro, Skid steer, Pin on (only for Quicke C-Series loader)



Available accessories:
Bale spike



Accessories available

Action Video!



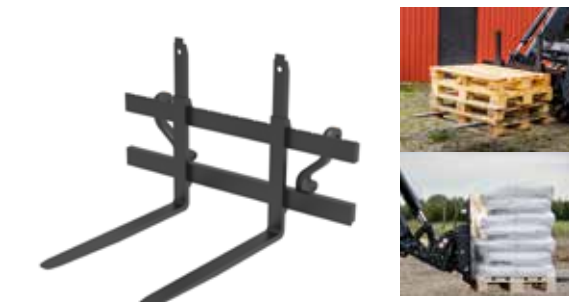
Pallet Fork M [CAPACITY UP TO 2500 KG; FRAME WIDTH 140 CM]

PALLET FORK M IDEAL FOR FRONT END LOADERS AND COMPACT WHEEL LOADERS

- 1,4 m wide frame makes it versatile in various AG tasks.
- See through design for full control of your work.
- Available with various accessories to increase use further.

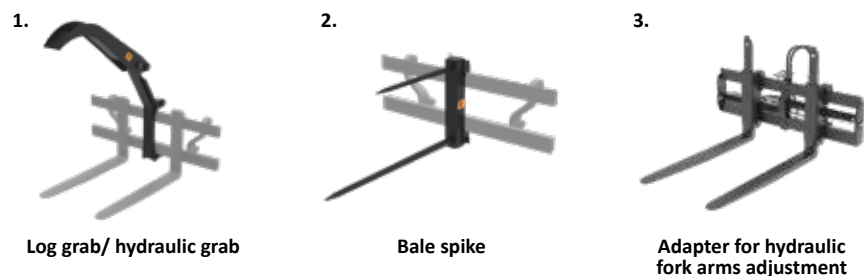
PALLET FORK M					
Frame width (Type FEM II), cm	140				
Fork arms (Type FEM II B), kg	1000	1600			2500
Length, cm	97	122	97	122	122
Dimension of fork arms, mm	80x32	80x32	80x40	80x40	100x40
Weight (differ by hook), kg	157	167	169	181	202

Available hooks for Pallet fork M frame 140 cm width:
Euro, SMS, MX, Skid Steer, Alo Type 3, Alo Compact, Weidemann, Zettelmeyer 602/Volvo L30, Zettelmeyer 402/Volvo L20, Kramer Short, Schäffer Standard (SHW), Dieci Small, Merlo ZM1/ZM2



Accessories available

Available accessories:
Log grab / hydraulic grab (1.)
Bale spike (2.)
Adapter for hydraulic fork arms adjustment (3.)





Explanation Video!



Big Bag Lifter

FOR SECURE HANDLING OF BIG BAGS

- Three different models; single, dual and triple.
- For all big bag handling scenarios.
- Bolted hooks add flexibility.

BIG BAG LIFTER	SINGLE*	DUAL**	TRIPLE**
Width, cm	127	213	278
Height min., cm	164	170	170
Height max., cm	164	221	221
Max. load (each arm), kg	1000	1500	1500
Weight, kg	79	177	269

*Big Bag Lifter single with BOH system 40x80

**Big Bag Lifter DUAL, TRIPLE with BOH system 80x80



Bolted hooks available



Bolted hooks available

Tool Carrier Adaptor with Bolt on Hooks

SIMPLIFY YOUR WORK WHILE MOVING IMPLEMENTS AROUND THE FARM

- Flexible tool carrier adaptor.
- Adapts to all attachment types available in Quicke's 40x80 Bolt on Hook system.
- Fits to Euro on the implement side.

Fixed Tool Carrier Adaptors

[LOADER SIDE/ IMPLEMENT SIDE]

- Adaptor 3PL/ Euro
- Adaptor 3PL/ SMS
- Adaptor Euro/ Skid Steer
- Adaptor Euro/ Valtra
- Adaptor Euro/ SMS
- Adaptor Euro/ ALO type 3
- Adaptor SMS/ ALO type 3



Bolted hooks available



Welded hooks available



Q-Bloq Counterweight

IMPROVE THE STABILITY OF YOUR TRACTOR

- Helps to improve stability and the distribution of weight.
- Possible to fit to both the rear and front hitch of tractors.
- The add on weight is secured by a locking bolt.

Q-BLOQ COUNTERWEIGHT	600	600 (ADD-ON)	900	1800
Weight, kg	600	600	900	1800



Q-Bloq 600 kg Add-on



Q-Bloq 600 kg



Q-Bloq 900 kg



Q-Bloq 1800 kg

Regulation – EN 12525:

No less than 20% of the gross tractor/loader weight must apply to the rear axle, including the counterweight.



Available in Quicke black with Q logo in orange, AGCO grey, John Deere green.

Counterweight

IMPROVE THE STABILITY OF YOUR TRACTOR

- Connection and disconnection is simply done.
- Improves stability and the distribution of weight.
- Lower the loads on front wheels and axle.

COUNTERWEIGHT	800	1200
Weight, empty, kg	186	212
Weight filled, kg	800	1200



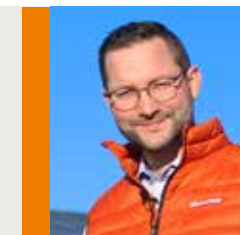
WE'VE GOT SPARE PARTS CLOSE BY EVEN WHEN YOU'RE FAR AWAY

Spare parts are available for everything from the biggest to the tiniest detail on the implement, and we've got them close by. Our world-leading distribution network guarantees proximity to you, no matter where you are.

All you need to do is contact your local dealer.

www.quicke.nu

Original Parts by Quicke



STEFFEN STENGL

SALES COORDINATOR ÄLÖ GERMANY

The Quicke counterweights are an extremely useful piece of equipment to properly ballast your machine to maintain weight on the tractor's rear axle. The counterweight increases the stability for the tractor-loader unit.



THE SUPPORT

As an Quicke Implement owner, you can expect world-leading level of reliability and service. Your purchase does not end our commitment to you – it's only the beginning.

Your implement has to perform at its best for a long time. We have built up a strong global organisation with a comprehensive service network, giving you easy and fast access to locations for service, spare parts and knowledgeable support- wherever you operate in the world.

You can be sure that our service and support meets the same standard as our products – always aiming for 100 percent customer satisfaction. To us, second best is not enough.

ABSOLUTE CUSTOMER FOCUS. In order to support you as a customer, we have created routines that ensure all the departments in our organisation are focused on your requirements.

QUICK ONLINE HELP. You'll have round-the-clock online access to spare part details, instructions and other important information.

TIGHT-KNIT SPARE PART NETWORK. Spare parts are available from our subsidiaries as well as from larger Quicke implement representatives world-wide.

PROXIMITY. Our world-leading distribution network guarantees proximity to you, no matter where you are.

GLOBAL TECHNICAL SUPPORT. As an Quicke Implement customer, you always have access to prompt technical support. All over the world, our representatives can provide knowledgeable and high-quality service.



CONSTANT FOLLOW-UP. Your viewpoints and suggestions for improvement are gathered together and centrally processed. This follow-up functions as a valuable basis for us when developing implements. The development of Quicke Implement is the result of close cooperation with users all over the world.

HOOK SYSTEMS

A VARIETY OF HOOK SYSTEMS FOR ANY MATERIAL HANDLER

Our implements can be used with a variety of hooks to attach them to different loading machines. The angle of the back of the implement and the working geometry of the loader influence the design of the hooks. We use the following systems:

- **M24:** The hooks are welded on plates that are bolted to the back of the implement with 18 to 20 M24 bolts. These are used on the L and XL implement range.
- **M16 S/L:** The hooks are welded on plates that are bolted to the back of the implement with 8 to 16 M16 bolts. These are used on the S and M implement range.
- **80x80 XL:** With U-bolts mounted at the back of the implement.
- **80x80:** With U-bolts or HD bolt kits mounted at the back of the implement.
- **60x80:** With U-bolts or HD bolt kits mounted at the back of the implement.
- **40x80:** With U-bolts or HD bolt kits mounted at the back of the implement.
- **Rail S/L:** The implement has a rail section at the back plane on which the hooks are bolted.
- **Welded hooks.**



40x80/80x80



Bale Spike
Big Bag Lifter
Flexibal
Flexigrip
Quadrogrip
Silocut M+ / L+
Silosplit
Bale Fork S+/L+/XL+
Stone Fork M+
Topgrip
Unigrip
Bucket XH M+

RAIL S/RAIL L



Manure Fork XL
Multibenne XL
Silograb XL

80x80 XL



Silocut XL+
Stone Fork XL+

M24



Bucket SXL+
Bucket SL+
Bucket GXL+
Bucket GL+
Bucket VXL+
Bucket VL+
Powergrab L+ / XL+

M16 S/L



Bucket SM+
Bucket GM+
Bucket GS+
Bucket VS+
Bucket SC M+
Multibenne S+ / M+
Silograb S+ / M+
Manure Fork M+
Powergrab M+
Multigrab M+


At all times Quicke will strive to optimise our implements to give highest possible productivity on as many loading machines possible. Whether it's a small yard loader or a large agricultural wheel loader, our commitment to provide you with the most efficient implement stays the same.

Quicke's modular Bolt on Hook systems are designed to provide highest level of flexibility and best possible working angles for the implement.

Nevertheless, risk for collisions cannot always be avoided and Quicke cannot be held liable for any damages caused by failure to operate the implement in such way where damage is avoided. Please get in contact with your local dealer or Quicke representative in case of any questions.





 Sillograb S+

Quicke

Member of JOST Agriculture

At all times Quicke will strive to optimise our implements to give highest possible productivity on as many loading machines possible. Whether it's a small yard loader or a large agricultural wheel loader, our commitment to provide you with the most efficient implement stays the same.

Quicke's modular Bolt on Hook systems are designed to provide highest level of flexibility and best possible working angles for the implement.

Nevertheless, risk for collisions cannot always be avoided and Quicke cannot be held liable for any damages caused by failure to operate the implement in such way where damage is avoided. Please get in contact with your local dealer or Quicke representative in case of any questions.

Ålö AB

Brännland 300, SE-901 37 Umeå, Sweden

Tel: +46 (0)90 17 05 00

marketing@alo.se

www.quicke.nu

Version May 2023

CLIMATE
COMPENSATED
PAPER



Some products in this brochure are fitted with extra equipment. Certain products may be optional extra equipment. Some of the products are not available on all markets. Product specifications and performance data stated can vary depending on the tractor model. Working with front loaders and accompanying implements is not without risk. Serious injuries to people and damage to materials can occur in the event of incorrectly carried out work. Show consideration to your surroundings, use common sense and comply with local laws and regulations. Always read carefully through the instruction manual supplied. Only use original spare parts and accessories. Quicke's product range is continually being developed. This brochure contains most of the products that are in production at the time the brochure is printed. We reserve the right at any time to alter specifications, prices and versions with no obligation on our part. ®, ™ Trademarks of Ålö AB.